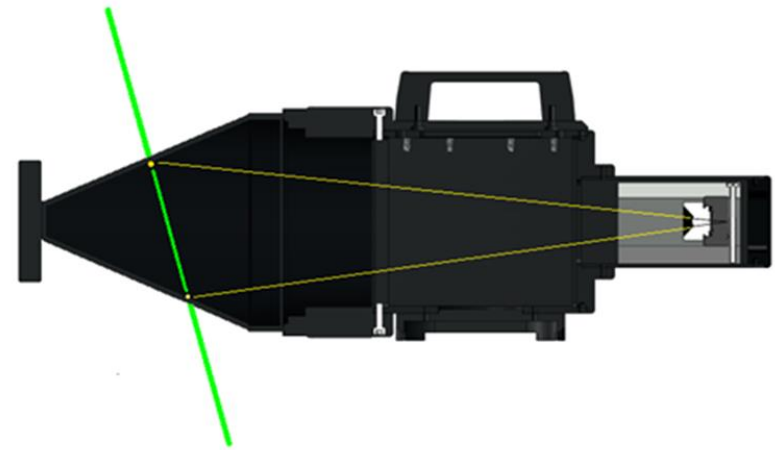
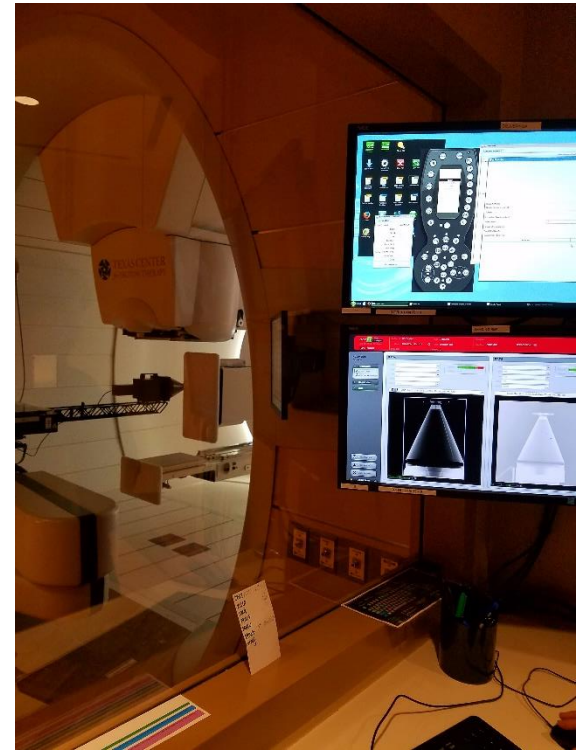
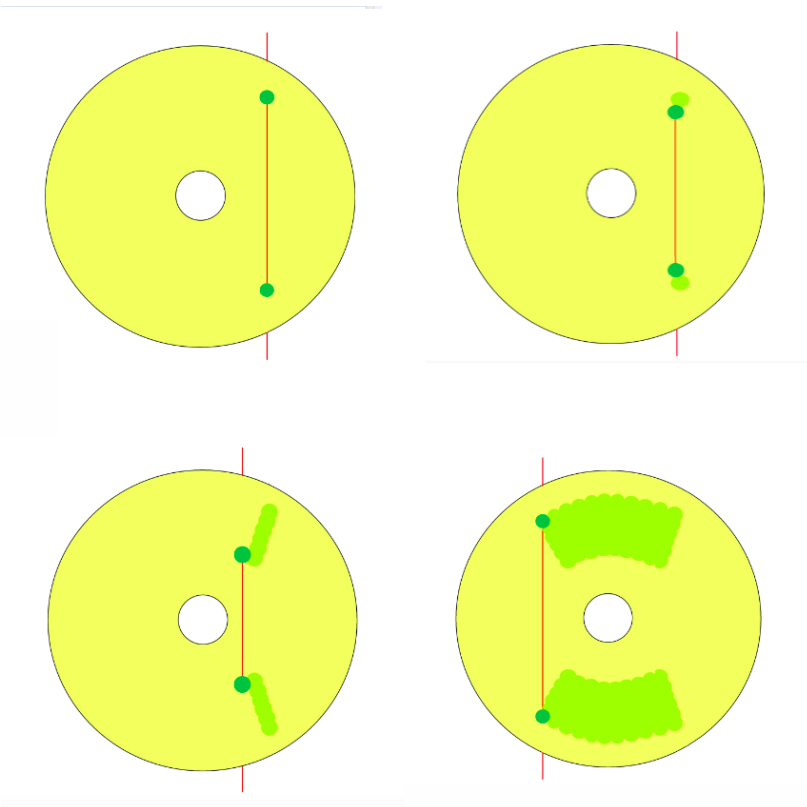


Proton PBS
Energy Layer
Quality Assurance

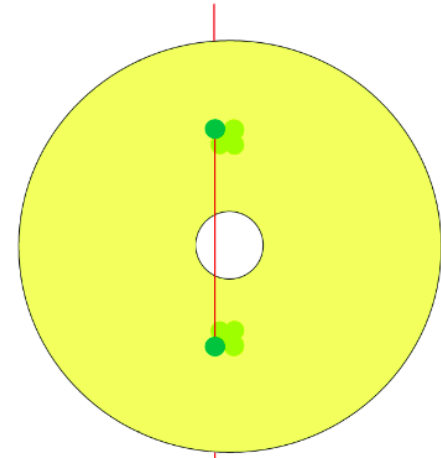
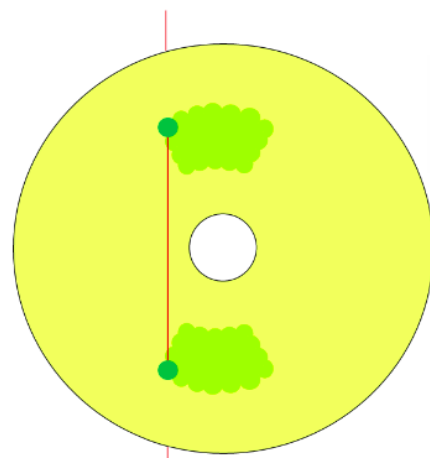
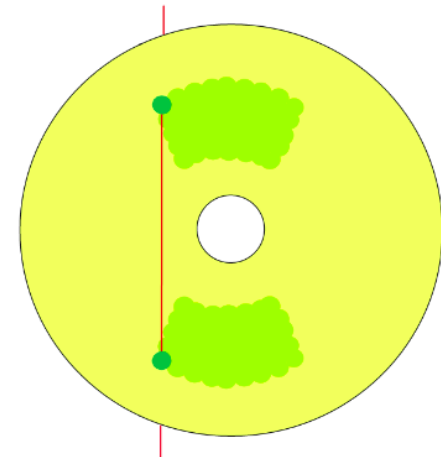
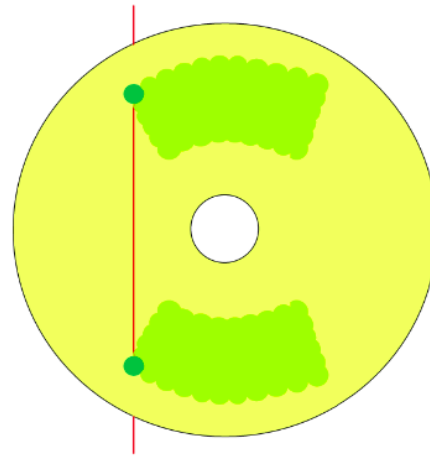
XRV-124 3D Phantom



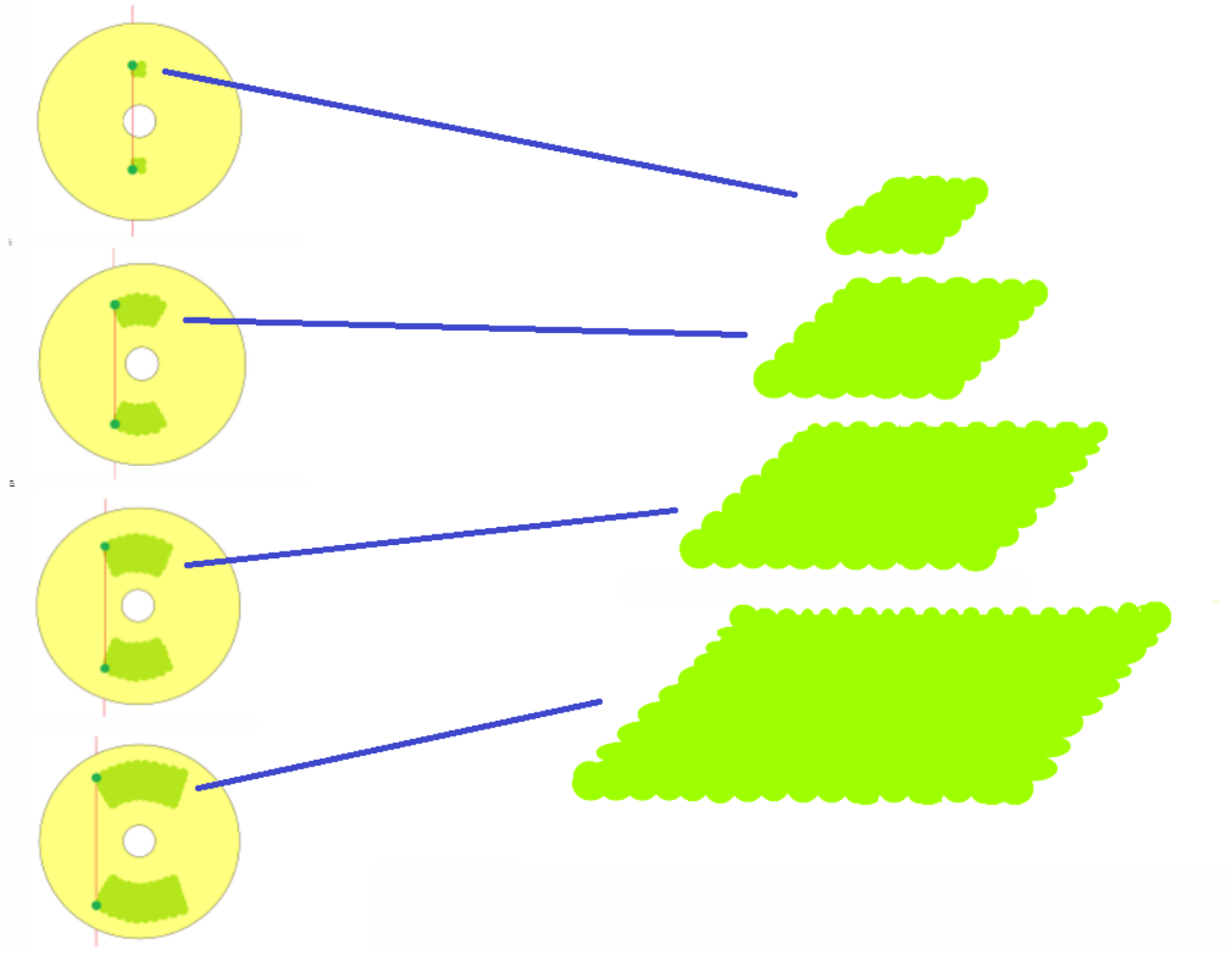


Pencil Beam Scanning paints each proton beam energy layer using fiducials for image guidance while the XRV-124 captures images to memory.

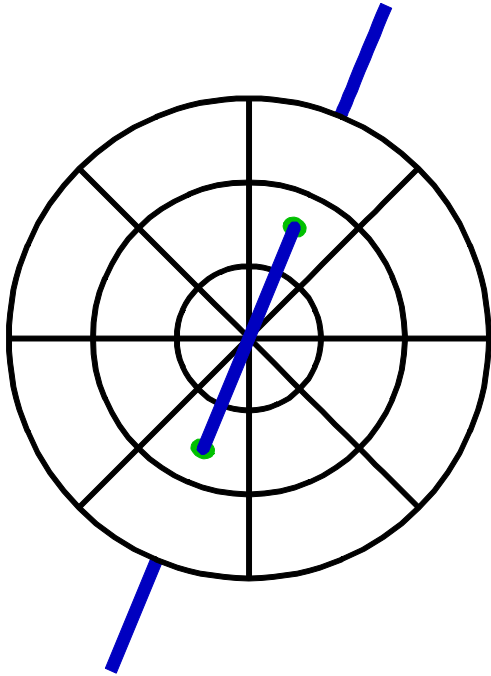
Bottom layers are delivered first using higher MeV proton beam energies.



BeamWorks separates, scales, and measures the layer images.



Digital Real-Time Proton and X-ray Beam Metrology Solutions



Logos
Systems

www.logosvisionsystem.com